



RISEN ENERGY CO., LTD. (DOCUMENT)

RISEN ENERGY CO., LTD. (DOCUMENT)

RISEN PV MODULE INSTALLATION AND MAINTENANCE MANUAL

文件编号 DOCUMENT NO.	RS03-MRD-002-2021	编制 COMPILER	Qi Qingting
文件版本 EDITION	A/2[2024]	审核 REVIEWER	Huang Xiao
分发编号 DISTRIBUTION NO.		批准 APPROVER	Liu Yafeng
受控状态 STATUS	盖章处 <i>STAMP</i>		

THIS DOCUMENT HAS A TOTAL OF ***51*** PAGES INCLUDING THE FRONT COVER

发布日期 **ISSUE DATE** 2024-01-15 实施日期 **IMPLEMENTATION DATE** 2024-01-15

东方日升新能源股份有限公司	PV module installation and maintenance manual	RISEN ENERGY CO.,LTD.
主导部门：组件研发中心		Page: NO.2 , Total 51

PURPOSE

This manual provides information on the installation and safe use of PV modules, and is applicable to all PV modules sold by Risen Energy (Ningbo) Co., Ltd. Risen Energy (Changzhou) Co., Ltd. Risen Energy (Yiwu) Co., Ltd. Risen Energy (Anhui) Co., LTD. Risen Solar Technology SDN.BHD. Risen Energy (Baotou) Co., Ltd. Risen Solar (Ningbo) Technology Co., Ltd. (hereinafter referred to as Risen Energy or Risen). The manual recommends safe and reliable module installation and maintenance instructions for our customers.

Before installation, the installer must read and understand this manual. If you have any questions, please contact sales or customer service staff of Risen for further understanding. When installing, the installer shall comply with all safety precautions and installation laws and regulations in this manual. The installer should be familiar with the mechanical load and electrical requirements of the installation system, and Risen has the right to refuse to compensate for the damage of the modules caused by the operation reasons or design defects of the power generation system.

SCOPE

This document applies to the installation of conventional single/dual glass modules from Risen Energy Co., Ltd. (including all factories)

OBLIGATIONS

PV Module R&D Center: responsible for the preparation, update and maintenance of this document.

东方日升新能源股份有限公司	PV module installation and maintenance manual	RISEN ENERGY CO.,LTD.
主导部门：组件研发中心		Page: NO.3 , Total 50

CATALOGUE

1. Manual Introduction.....	4
2. Applicable Products	5
3. Warning.....	6
4. Safety Cautions.....	7
5. Unloading, Transportation and Storage.....	13
5.1 Markers on outer packaging	13
5.2 Unloading cautions	14
5.3 Secondary transportation and Warning.....	15
5.4 Storage	16
5.5 Markings on module	16
6. Matters needing attention for unpacking	18
7. Installation.....	19
7.1 Environment conditions and site selection	19
7.2 Tilt angle of Installation	20
7.3 Installation requirements for bifacial module.....	21
8. Installation Guidelines	23
8.1 Installation method.....	24
8.1.1 Bolts installation	24
8.1.2 Fixture installation	25
8.1.3 Marine module connector protection device.....	26
8.2 Installation method of fixed support	28
9. Cable layout.....	32
10. Electrical Connection	34
10.1 Bypass diodes	37
10.2 Wiring	38
10.3 Connector and Junction box	39
11. Grounding	40
12. Inspection and Maintenance	42
13. Troubleshooting	45
14. DISCLAIMER.....	46
Annex 1: Contact Information:	47
Annex 2 : Product Electrical Data	47

东方日升新能源股份有限公司	PV module installation and maintenance manual	RISEN ENERGY CO.,LTD.
主导部门：组件研发中心		Page: NO. 4 , Total 50

1. Manual Introduction

Thanks for choosing Solar PV modules from Risen Energy Co., Ltd. (hereinafter called Risen).

Please read the following installation manual carefully before modules are installed and used.

Please let the well trained professional to engage the PV module's installation, running and maintenance, because these works are based on the professional knowledge. The personnel for the installation should be familiar with the mechanical and electrical requirements.

Please get contact with Risen After-service Department (AfterService@risenenergy.com) or Risen local agency if you have any question or want more details.

东方日升新能源股份有限公司	PV module installation and maintenance manual	RISEN ENERGY CO.,LTD.
主导部门：组件研发中心		Page: NO.5 , Total 50

2. Applicable Products

Risen's solar photovoltaic module is a DC power supply, which has the character of high reliability and nearly no-maintenance. It can be used in power systems of remote areas, home power systems, renewable energy vehicles, hydropower stations, water pumps, communication system or constitute solar photovoltaic power station directly. These systems not only can be used with battery, but also can be used by grid-connection directly.

This document is applicable to the following Solar PV Modules types:

Monofacial modules	RSM40-8-xxxM/MB	RSM110-8-xxxM	RSM120-8-xxxM	RSM132-8-xxxM
	RSM144-9-xxxM	RSM132-9-xxxM	RSM120-9-xxxM	RSM144-9-xxxN
	RSM120-9-xxxN	RSM108-9-xxxN	RSM108-9-xxxNB	RSM144-10-xxxN
	RSM120-10-xxxN	RSM108-10-xxxN	RSM108-10-xxxNB	
Bifacial module	RSM110-8-xxxBMDG	RSM120-8-xxxBMDG	RSM132-8-xxxBMDG	RSM144-9-xxxBMDG
	RSM132-9-xxxBMDG	RSM120-9-xxxBMDG	RSM132-8-xxxBNDG	RSM120-8-xxxBNDG
	RSM110-8-xxxBNDG	RSM132-8-xxxBHDG	RSM120-8-xxxBHDG	RSM110-8-xxxBHDG
	RSM156-9-xxxBNDG	RSM144-9-xxxBNDG	RSM120-9-xxxBNDG	RSM108-9-xxxBNDG
	RSM108-9-xxxNDGB	RSM144-10-xxxBNDG	RSM120-10-xxxBNDG	RSM108-10-xxxBNDG
	RSM108-10-xxxNDGB	RSM108-10-xxxBHDG	RSM108-9-xxxNDG	RSM108-10-xxxNDG
	RSM132-11-xxxBNDG	RSM108-11-xxxBNDG	RSM96-11-xxxBNDG	

The detail parameter can be get from the official module datasheet from our website (www.risenenergy.com)

The Solar PV modules described in this manual are terrestrial used only, cannot be used in space. The high altitude influence to module operation should be considered when the modules are installed in high altitude area. The maximum altitude the PV module is designed for is up to 2000m.

3. Warning

Please read and understand all the safety cautions before the PV module installation, wiring, operation and maintenance. When exposed to the sun light or other illuminant directly, the PV modules will generate the Direct Current (DC), there will be the risk to cause people death when touching the electrical part like the connectors/terminals no matter whether the modules are connected or not.



WARNING

Maximum series fuse rating 20A
 Power production tolerance $\pm 3\%$
 This module produces electricity when exposed to light.
 Follow all applicable safety precautions.
 Only qualified personnel should install or perform maintenance work on these modules
 Be aware of dangerous high DC voltage when connecting modules.
 Do not damage or scratch the rear surface of the modules.
 Do not handle or install modules when they are wet.
 Follow the battery manufacturer's recommendations if batteries are used with modules.

东方日升新能源股份有限公司	PV module installation and maintenance manual	RISEN ENERGY CO.,LTD.
主导部门：组件研发中心		Page: NO.7 , Total 50

4. Safety Cautions

In the installation and maintenance, all the Safety Cautions mentioned in this manual should be followed, in the meantime, all the requirements defined by local law, authority agency or government should be followed.

Failed to follow this manual or the above rules/law will cause the fail of our Limited Warranty to the modules.

- Please get contact with local authority agency to confirm if the installation is legally allowed and meets the installation inspection requirements before installing the PV system.
- When designing the PV system, please be sure to consider about the voltage change under different temperatures (please check the temperature coefficients of all PV modules, when the temperature drops, the variable output voltage of the module will rise) (For the temperature coefficient of photovoltaic modules, please refer to the official module datasheet from our website).
- The shading on the module surface will affect the power generation much, the module should be installed in the place where the module cannot be shadowed full year (such as the shadow from building, chimney and tree etc.), and even the partially shading (such as the dirt, snow and aerial wire etc.) should be avoided.
- The modules should be kept inside the original packaging before installation. In the transportation and storage period, please do NOT damage the packaging. The packaging cannot be opened unless at the installation site. It is recommended to open the packaging according to the opening procedure and handle this procedure carefully. It is forbidden to let the packaged module dropped directly.
- Please ensure the correct and proper method of transportation and installation, otherwise it could cause the module damage.
- The maximum limit of the stack layer is defined in the outer packaging carton box, please do NOT stack the modules more than this limit. Before opening the packaging, please keep it in a ventilated, rainproof and dry place.

东方日升新能源股份有限公司	PV module installation and maintenance manual	RISEN ENERGY CO.,LTD.
主导部门：组件研发中心		Page: NO. 8 , Total 50

It is prohibited to stand, climb, walk and jump on the unpacked packaging.

- To avoid damaging the module and affecting the module safety, please never put any heavy or sharp objects on the front and rear surface of the module at any time.
- When open the packing box, please use the professional and proper tools which can avoid the inclining and dropping of the module. It is forbidden to put the module in a place without any supports or fixtures.
- Never handle or move the module via the cable or the junction box at any time. At least 2 personnel with non-slip gloves are required to handle one module at the same time. Do NOT carry the module via overhead and do NOT handle the stacked modules for moving.
- Please store the modules in a ventilated, rainproof and dry place when the temporary storage is needed.
- Please ensure all the modules and electrical contact parts are clean and dry before installation.
- Do NOT install any module when it is raining, snowing and strong windy.
- Artificially concentrated sunlight producing a PV module's current above the value reported on the nameplate shall not be directed onto the front side or the back side of the PV module.
- Use durable, rust-resistant and UV-resistant materials to fabricate the module bracket structures which have been tested, certified and approved.
- When the modules were installed on the brackets, the brackets structure should have the ability to bear the wind load and snow load at site. And please ensure these load will not exceed the maximum load design of the module.
- The modules with the glass broken or the back-sheet damage cannot be repaired and CANNOT be used, there will be the electrical shock risk in case to touch the surface or frame of these kind of modules. Do NOT try to disassemble the module, and do NOT remove or damage the module nameplate and/or any other parts of the module.
- It is FORBIDDEN to stand on the modules in the installation progress, and do NOT damage

东方日升新能源股份有限公司	PV module installation and maintenance manual	RISEN ENERGY CO.,LTD.
主导部门：组件研发中心		Page: NO.9 , Total 50

or scratch the glass surface of the module.

- Do NOT apply any paint or glue to the module glass surface.
- The Solar PV modules will generate the electrical power when exposed to the sunlight, and this power is sufficient to cause fatal electrical shock and burning risk. Only the authorized personnel who is professional trained can close to the solar PV module.
- To avoid the electrical shock and burning risk, the opaque material can be used to cover the modules in the installation.
- To avoid the electrical shock risk by damaged module, please do NOT wear metal objects such as ring, watch, ear ring and nose ring in the term of the installation and maintenance.
- Do NOT disconnect any electrical connections or unplug any connectors under circuit load.
- In order to prevent the degradation of the module insulation ability, please avoid scratching and cutting any cables or connectors.
- Use well insulated tools in accordance with relevant electrical installation standards. Keep children away from the installation site during transportation and assembly.
- Installation shall comply with local safety regulations (e.g., safety regulations, plant operation regulations), including the regulations of wires and cables, connectors, charging controllers, inverters, batteries, rechargeable batteries, etc.
- Under the requirements of the NEC (National Electrical Code), the maximum system voltage shall not be higher than 1500V. And the actual system voltage is specified on the nameplate of the module you are using.
- A photovoltaic module is likely to experience conditions that produce higher current and/or voltage than reported at standard test conditions. Factors to consider include module temperature and front side irradiance (besides, bifacial modules should consider ground or roof albedo, row spacing, and installation height). Accordingly, the values of V_{oc} and I_{sc} (or for bifacial modules, $I_{sc-aBSI}$) marked on this PV module should be multiplied by a factor of 1,25 when determining voltage and current ratings for components connected to the PV output.

东方日升新能源股份有限公司	PV module installation and maintenance manual	RISEN ENERGY CO.,LTD.
主导部门：组件研发中心		Page: NO. 11 , Total 50

requirements of safety class II.

- Comply with electrical specification - part 1 - electrical equipment safety standard CSA C22.1-12-2012.
- Modules with exposed conductive parts should be grounded according to the instructions in the installation manual and the electrical specifications required by local regulations. For use in regions or countries where UL61730 is required, it must comply with the requirements of the U.S. National Electrical Code or it will be considered a violation of UL61730. Please consult with local authorities for the requirements on installation methods and fire safety of buildings.
- Assess the fire rating of the system according to the condition of the roof and mounting brackets, subject to local electrical safety regulations. A suitable layer of fireproof material for this class shall be covered and the ventilation should be maintained.
- The difference of the roof structure and installation method will affect the fire safety performance, and unappropriated installation will take the risk to cause the fire. In order to ensure the fire rating of the roof, the advised minimum distance between the module frame and the roof surface is 115mm, and appropriate modules such as fuses, circuit breakers and ground connectors should be used according to local electrical safety regulations.
- Observe the safety precautions of the module installation manual. If the modules are installed on the roof, ensure that the roof structure is reasonable. It is forbidden to cut holes on the glass of the roof module and its accessories. In addition, the installation of any roof modules must be sealed to prevent leakage and to ensure the fire rating levels.
- The roof modules must be installed on the metal tile used with the product and reliably connected to the metal tile. The roof modules mounting system must be constructed of durable, corrosion-resistant, UV-resistant materials. Before installing roof modules, ensure that the modules meet the overall technical requirements of the system. Check applicable building codes to ensure that the building and its structure (roof, facade, load-bearing, etc.) on which the modules are to be installed have adequate load-bearing capacity. Ensure that the roof modules are mounted in a robust manner so that the roof modules can withstand all

predetermined load conditions.

Table 4-1 Recommended tilt angle of BIPV modules for fixed systems

latitude	Fixed angle of inclination
0°~15°	15°, or parallel to the roof for BIPV modules
15°~25°	The same latitude, or parallel to the roof for BIPV modules
25°~30°	Same latitude +5°, or parallel to the roof for BIPV modules
30°~35°	Same latitude +10°, or parallel to the roof for BIPV modules
35°~40°	Same latitude +15°, or parallel to the roof for BIPV modules
40°+	Same latitude +20°, or parallel to the roof for BIPV modules

- The accumulation of dust on the modules surface will impair the performance of the modules. During the installation, the module tilt angle should be maintained at more than 10° to allow the rain to wash away the dust, while the module with too small tilt angle requires more frequent cleaning.
- Please do NOT operate any devices at the place where is closed to the flammable gas.
- Specific PV connector model/types and manufacturer to which the module connectors shall be mated.
- For bifacial cell module, backside irradiance of mounting area should be less than 300W/m²
- In accordance with IEC 60950-1 metal parts designed for applications in climates with wet or humid ambient conditions shall not be in contact to metal parts that have a difference of their electrochemical potentials of more than 600 mV. Larger electrochemical potentials are permissible if the contact points of these materials are designed to remain dry. The material combinations listed in Table J.1 of IEC 60950-1:2005 serve as guideline to determine generic electrochemical potentials between two materials. Electrochemical potentials for specific material combinations have to be taken into consideration.
- The class of protection against electric shock is class II.
- The modules passed Fire UL 790 class C fire tests, the slope of tested module is 5 inches (127mm) to the horizontal foot (0.3m), which is the most severe condition.

5. Unloading, Transportation and Storage

5.1 Markers on outer packaging

Discarded at will of the module is forbidden and require special recycling.



Modules shall be kept dry, NOT exposing to the rain or moisture.



Modules in carton are fragile, which shall be handled with care.



The number of stacking layers depends on the product packaging labels.



The packaging shall be transported upright.

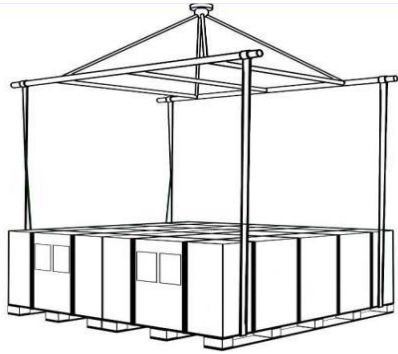


The packaging material can be recycled.



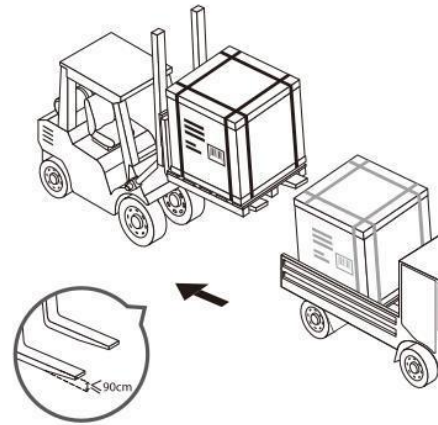
5.2 Unloading cautions

Use a suitable lifting fixture to handle, no more than 2 pallets of modules. Before lifting, check whether the tray and the carton are damaged and whether the hoisting ropes are strong and firm. Two people shall support at the two sides of the righting carton gently to place it on the relatively flat position of the project site.

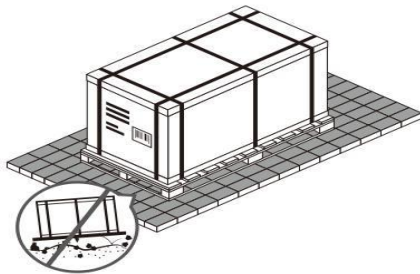


Use a forklift to remove the unit from the truck.

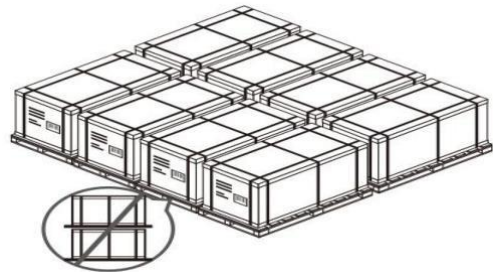
During loading or unloading, the forklift must not hit the packing box.



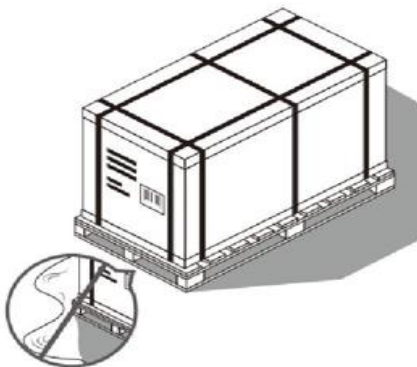
Place the modules on a level surface.



The stacking of modules at the project site is prohibited.



Place the unit in a dry and ventilated place.

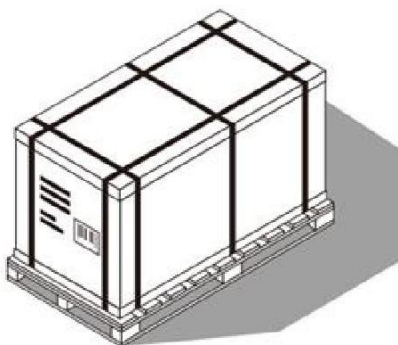


Cover the modules with a tarpaulin to prevent the package from getting wet.

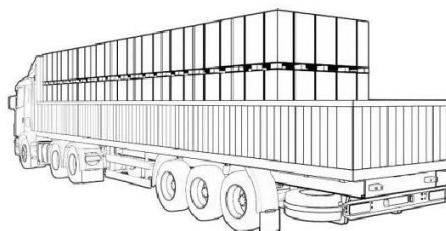


5.3 Secondary transportation and Warning

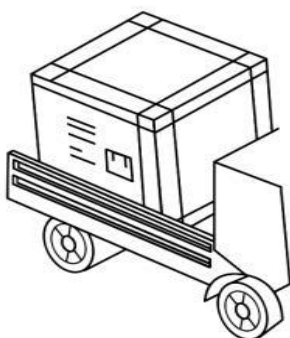
Do NOT remove the original packages if the modules require long-distance transport or long-term storage.



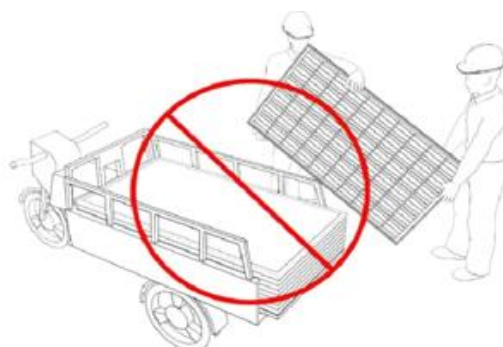
Packaged products can be shipped by land, sea, or air. During transportation, please fix the packing box on the transport platform to ensure that the packing will not roll over. No more than 2 layers by truck normally.



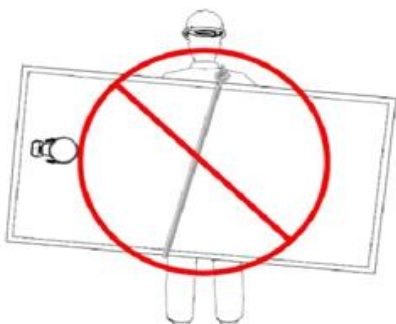
Please do not open the original packing when transferring the project to the destination. Please fix the packing box on the transportation platform to ensure that the packing box is firmly fixed.



No Transportation of handling by pedicab as the following.



No handling the module with rope as the following.



No carrying the module on the back of person.



5.4 Storage

- Do NOT expose the modules to rain or moisture. Store the finished product in a ventilated, waterproof and dry place.
- Do NOT remove the original packaging if the module requires long-distance transport or long-term storage.
- Modules Stacking no more than 1 layers (moisture < 85%RH, temperature in the range from -40 °C to + 40 °C) , see Fig. 5-1.

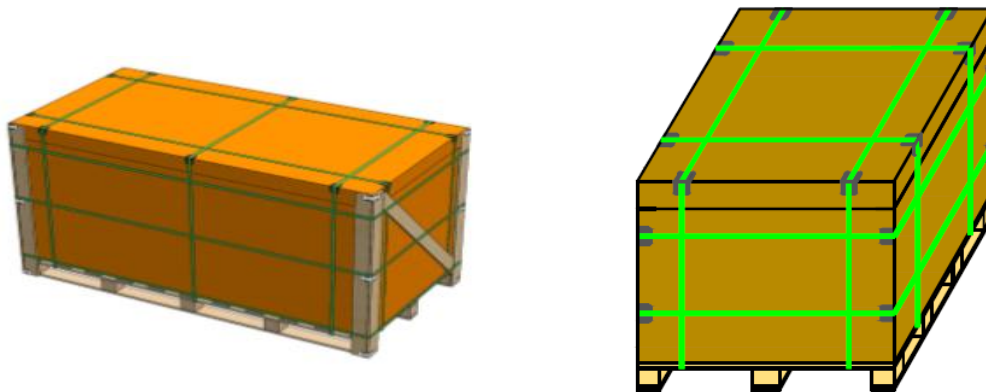


Fig. 5-1 temporary storage at site warehouse

5.5 Markings on module

There are several markings attached on the module with following information:

- Nameplate (posted on the rear side of the module): module type, P_{max} , rated current, rated voltage, V_{oc} , I_{sc} , maximum system voltage, positive and negative design load, maximum overcurrent protection rating, connector manufacturer and model used, Module $[T_{98}]_{max}$ 70 °C and certification logo, etc.

For bifacial modules, the nameplate also contains V_{oc} (at STC and BNPI), I_{sc} (at STC, BNPI and aBSI), P_{max} (at STC and BNPI), ϕV_{oc} , ϕI_{sc} and ϕP_{max} , ect.

Under standard test conditions, the Risen's stated tolerance for V_{oc} , I_{sc} , and maximum power output are as following:

$V_{oc} : \pm 3\%$

$I_{sc} : \pm 4\%$

$P_{max} : \pm 3\%$

东方日升新能源股份有限公司	PV module installation and maintenance manual	RISEN ENERGY CO.,LTD.
主导部门：组件研发中心		Page: NO. 17 , Total 50

- The side affixed with the nameplate is the back of the photovoltaic module, and the other side is the front of the photovoltaic module.
- For bifacial modules, the side of the module not affixed with a nameplate has been tested for front side exposures. Unless tested as a front side, the back side is restricted for use with indirect or limited direct sunlight (less than 300 W/m²).
- Current marking: the classification according to the module's current.

To provide clear information of modules for customers to perform efficient installation, modules will be sorted according to three current classifications, which are as follow:

I1: Current Classification 1 I2: Current Classification 2

I3: Current Classification 3

- Bar Code: Unique bar code for each module. The bar code used by Risen includes 14 digits or letters, and details are as follow. Set the YYMMDDABBCCCCC as the example:
 - ✓ From the 1st to the 6th digits: YYMMDD means the manufacturing date; YY is the actual manufacturing year +25, MM is the actual manufacturing month +11, DD is the actual manufacturing date;
 - ✓ The 7th letter: A means Code for internal identification;
 - ✓ The 8th and 9th digits: BB means the manufacturing workshop;
 - ✓ From the 10th to the 14th digits: CCCCC means the serial number of production.

东方日升新能源股份有限公司	PV module installation and maintenance manual	RISEN ENERGY CO.,LTD.
主导部门：组件研发中心		Page: NO. 18 , Total 50

6. Matters needing attention for unpacking

- As for outdoors unpacking, it is prohibited to operate in rainy conditions. Because the carton will become soft and damaged after it gets wet in the rain. The PV modules (hereinafter referred to as "modules") inside the carton will incline, which may cause damage or injury to personnel.
- If there is wind at site, it is necessary to pay special attention to safety, especially in strong wind conditions, and it is NOT recommended to transport the modules at this situation. The unpacked modules shall be fixed properly.
- The ground should be flat where unpack the packaging, this will ensure that the carton can be placed stably and to avoid incline.
- Wear protective gloves during unpacking to avoid hand injury and finger prints on the glass surface.
- Module information and unpacking instructions can be found on the outer package. Please read the instructions before unpacking.
- Each module shall be handled by two personnel. It is forbidden to pull the wires or junction boxes of the modules to carry the module.

In addition to the above points for attention, consider professional on-site unpacking, exception handling rules, please refer to RISEN Packaging Manual.

东方日升新能源股份有限公司	PV module installation and maintenance manual	RISEN ENERGY CO.,LTD.
主导部门：组件研发中心		Page: NO. 19 , Total 50

7. Installation

7.1 Environment conditions and site selection

Risen module should be installed in the following environmental conditions.

Table 7-1 operation condition

NO	Environmental conditions	Range
1	Environmental conditions	-40°C to +70°C
2	Humidity	<85% RH

Remarks: The working environment temperature is the monthly average maximum temperature and minimum temperature of the installation site. Modules are intended for use in the temperature range from a lower environmental temperature of -40 °C to the upper-limit set by a 98th percentile module operating temperature of 70 °C. The maximum rated operating temperature is generally $[T_{98}]_{\max}$ 70 °C (or if tested to IEC TS 63126 Level 1 or Level 2, 80 °C or 90 °C). The mechanical load bearing capacity of the solar PV module is determined based on the installation method. The professional solar PV system installer must be responsible for calculating the solar PV system machinery when designing the solar PV system load bearing capacity.

- If the module will be installed in a place of which the humidity is more than 85%RH, please get contact with Risen After-service team (afterservice@risenenergy.com) for the properly installation method, or check whether the module can be installed or not.
- For most places, Risen solar PV modules should be installed where the sunlight can be maximally acquired throughout the year. In the Northern hemisphere, the light-receiving surface of the module is usually selected to face the South; in the Southern hemisphere, the light-receiving surface of the module is usually selected to face the North.
- When selecting the installation location, avoid areas with trees, buildings, or obstacles because these objects will form shadows on solar PV modules, especially when the sun is at the lowest position on the horizon in winter. The shadow will cause the loss of the output

东方日升新能源股份有限公司	PV module installation and maintenance manual	RISEN ENERGY CO.,LTD.
主导部门：组件研发中心		Page: NO. 20 , Total 50

power of the solar photovoltaic system. Although the bypass diode installed in the solar photovoltaic module can reduce this loss to some extent, do not ignore the shadow factor.

- Do not install solar PV modules near fire or flammable materials. Do not install solar PV modules under water immersion, prolonged exposure to sprinklers or water sprays.
- If the product needs to be used in the offshore environment, please communicate with Risen technical team in advance to evaluate and use the coastal modules of Risen. Installation recommendations for offshore areas at different distances are as follows:
 - ① For the area 0-50m away from the coastline, Risen Energy will implement the offshore module standards. For specific plans, please communicate with Risen technical team for confirmation.
 - ② For areas 50-1000m away from the coastline, please use coastal modules. During the installation process, if the unboxed component connectors needs to be left empty at the installation site for a long time, please install a dust-proof plug; When removing the dust plug, the connection of the connectors should be completed as soon as possible; For support parts that are in direct contact with the module frame, it is recommended to use stainless steel or aluminum materials, and take anti-rust measures at the contact parts; It is not recommended to use steel frames for the frame, and secure the component connectors in a location where they are protected from rain.
 - ③ For offshore areas beyond 1000m from the coastline, conventional modules can be used, but please communicate with Risen technical team for advice. During installation, secure the component connectors in a location where they are protected from rain.
 - ④ If Risen modules are used in offshore environment projects without evaluation, Risen will not assume any responsibility if the modules fail due to environmental factors.

7.2 Tilt angle of Installation

- The installation of solar PV module string should be in the same orientation and the same installation angle. Different installation directions and installation angles will lead to the mismatches in current and voltage which is caused by different light absorption of different solar modules, this mismatch will cause the PV system power output loss.

- The largest power will be generated When direct sunlight on solar PV module. For modules which are installed on the fixed brackets, the best installation angle should be selected to ensure the maximum power output can be generated at winter time. If the angle can guarantee enough power output during the winter, it will make the whole solar PV system in the rest of the year can also have enough power output.
- Installation inclination refers to the Angle between the solar photovoltaic module and the ground plane, as shown in Figure 7-1.

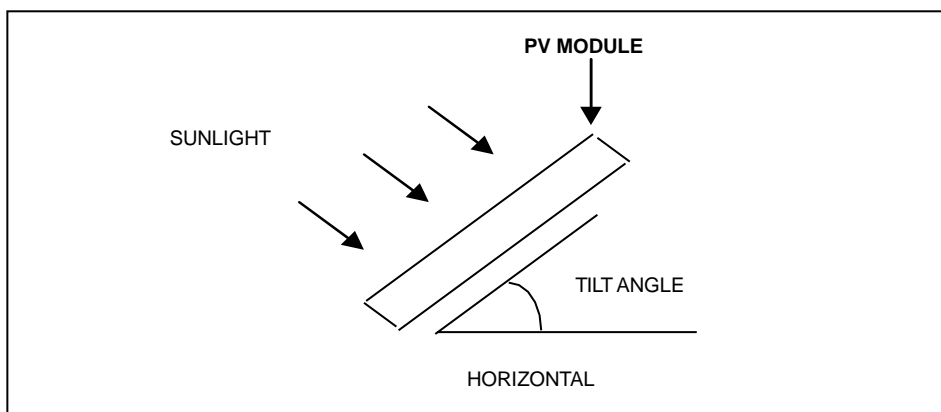


Fig. 7-1 Tilt angle

Table 7-2 Recommended tilt angle for fixed systems

latitude	Fixed angle of inclination
0°~15°	15°
15°~25°	The same latitude
25°~30°	Same latitude +5°
30°~35°	Same latitude +10°
35°~40°	Same latitude +15°
40°+	Same latitude +20°

7.3 Installation requirements for bifacial module

- Under the certain installation conditions, the backside of bifacial dual glass module will also generate electricity power after receiving the reflected light, which will bring additional power generation gain to the power station system.
- The shading on the module surface will affect the power generation much, the module

should be installed in the place where the module cannot be shadowed totally (such as the shadow from building, chimney and tree etc.), and even the partially shading (such as the dirt, snow and aerial wire etc.) should be avoided.

- The generation gain is related to the ground reflectivity, the module installation height to the ground, the array spacing and the shadow shading to the module backside.
- Generally speaking, the reflectance is various with the different ground (See table 7-3), and this will lead to different power generation gain.

Table 7-3 reflectivity of different surfaces

The ground type	Water	Grassland	Ground	Concrete	Sand	Snow
Reflectivity range (%)	5 - 12	12 - 25	20 - 33	20 - 40	20 - 40	80 - 85

- Due to the different ground clearance height will affect the power generation gain, it is recommended to install the module at a height from 0.5m to 2m. See Fig. 7-2.

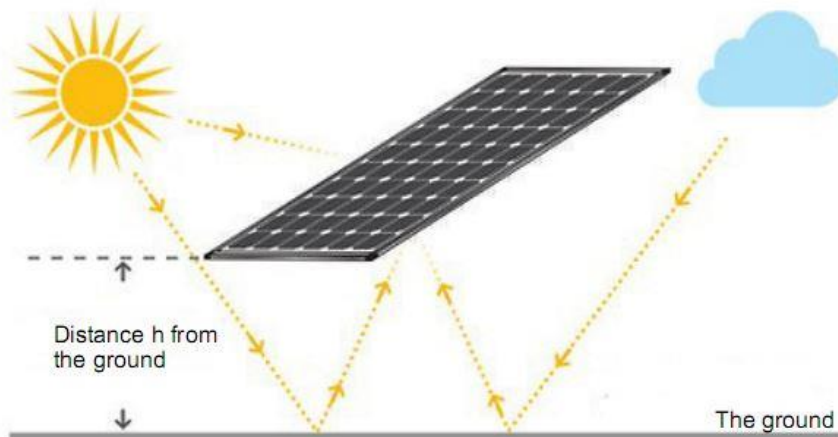


Fig. 7-2 Distance from the earth

When designing the system, in addition to the type of ground and the height above the ground, the appropriate array spacing and how to avoid the back shadow should be considered. Please refer to 《Risen bifacial module PV system design white paper》, or consult professional system designers.

东方日升新能源股份有限公司	PV module installation and maintenance manual	RISEN ENERGY CO.,LTD.
主导部门：组件研发中心		Page: NO. 23 , Total 50

8. Installation Guidelines

- ✓ Ensure that the support system is strong enough and the modules must be fixed to the support system as required.
- ✓ The limit load of the support system must be calculated according to the project site conditions, installation methods, etc. and the local specifications. The support system supplier must be responsible for the design, verification, installation and maintenance of the photovoltaic system.
- ✓ In order to reduce the adaptation loss, please ensure that the modules with the same color cells to be installed together.
- ✓ The module frame has the effect of thermal expansion and cold contraction, the minimum clearance between two adjacent modules must not be less than 10mm, for special requirements, please confirm with Risen technical team before installation.
- ✓ The module frame drain holes cannot be blocked in any situation during installation or use.
- ✓ PV modules are not suitable for long-term exposure to the environment containing sulfur, strong acid, strong alkali, acid rain, chemical pollution, salt spray and other corrosion risk to the product, there is a risk of corrosion.
- ✓ Packaging angle bead and assembly safe edge play a protective role in packaging and transportation, which can be removed automatically when assembly is installed
- ✓ During installation of PV modules, shall not drag modules or rub surfaces.
- ✓ Installation of large size modules, the appearance of a certain degree of subsidence or deformation due to gravity is a normal phenomenon, after testing the appearance in line with the relevant standards.
- ✓ All the load values below are the test load of laboratory static mechanical load experiment, and the actual design load of the project site needs to consider 1.5 times of safety factor. (test load=design load*1.5).

The PV support system is generally divided into fixed installation system and tracker

system. Risen PV module can be installed on two systems. The PV module and support system can be connected by bolts and clamp. Risen recommends some installation methods and accessories, as follows, please give priority. Other installation methods need to be confirmed with Risen.

8.1 Installation method

8.1.1 Bolts installation

- The Risen PV modules can be installed with bolts. There are mounting holes on the back frame of the PV module for connecting with the support system, including the mounting holes of $\phi 9 \times 14$ 、 $\phi 9 \times 20$ and $\phi 7 \times 10$. When using the $\phi 9 \times 14$ and $\phi 9 \times 20$ mounting hole, please use the M8 bolt set in table 8-1; when using the $\phi 7 \times 10$ mounting hole, please use the M6 bolt set in table 8-1, The recommended size of flat washer outer ring is 16mm. Maximum outside diameter of nuts/ flat washer for M8 bolts is 16mm when used for steel frames.

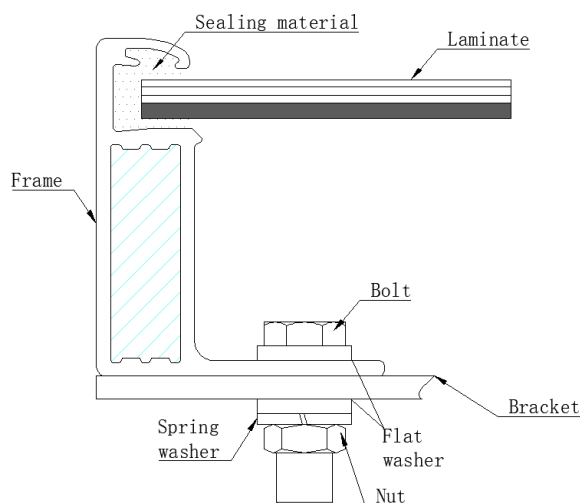


Fig. 8.1 Bolt installation diagram

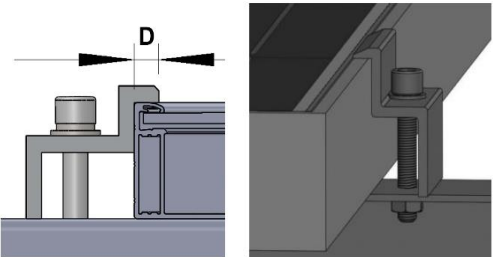
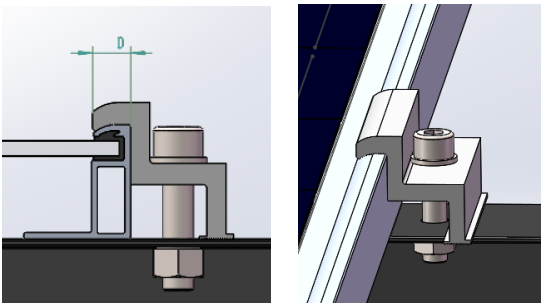
Table 8-1 bolt set

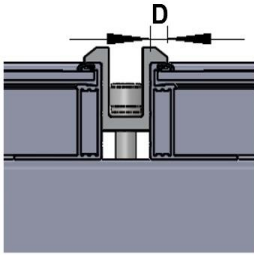
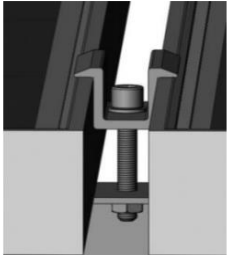
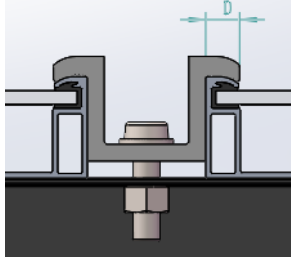
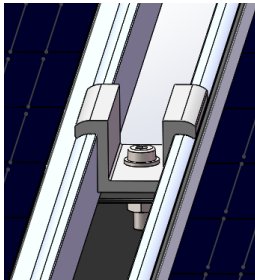
Install the fasteners	M8 bolt set	M6 bolt set	Note
bolt	M8	M6	use corrosion resistant fasteners SUS304 is recommended
Flat washer	2*8	2*6	
Spring washer	8	6	
Nut	M8	M6	
Torque range	16N·m-20 N·m	14N·m-18 N·m	

8.1.2 Fixture installation

- The Risen PV module can also be installed with clamp. The PV module shall be fixed on the mounting bracket with M8 bolts and clamp. It is strictly forbidden for the clamp to contact the front glass. The frame of the PV module shall not be deformed during installation, and the front of the module shall not be covered. Each PV module needs to be fixed with four clamp, and the applied torque is 16N · m ~ 20N · m.
- The size, quantity and installation method of the clamp can be determined according to the actual load of the project site, but it needs to meet the basic requirements in table 8-4 and be confirmed by the professional technical team of Risen.

Table 8-2 clamp

Type		clamp	
		Conventional clamp	Arc-shaped clamp
Apply to the frame assembly clamp	Side clamp		







Middle clamp	 	 
<p>It is recommended to use arc-shaped clamp for installation of Very large module, and use arc-shaped cross section clamp to make the pressing surface of the clamp better fit with the module, so that the installation is more reliable and stable. If you use conventional clamp for installation, in harsh environments such as blizzards or strong winds, the modules may have a large amount of deformation, resulting in the inability to fasten the modules better, resulting in the modules falling, resulting in damage to the modules, and you will not be able to enjoy the warranty. Detailed information of arc-shaped clamp can consult risen technical team. (Very large module definition: 1. Modules with dimensions exceeding 2.2m×1.3m can be considered as Very large module; 2. If module exceeds 2.2m in length or width, or exceeds 1.3m in both dimensions, it can be considered as Very large module.)</p>		
Attention	Ensure that the clamp overlaps with the A side of the module frame by $8\text{mm} \leq D \leq 12\text{mm}$	
Specifications	clamp size: $50\text{mm} \leq \text{length} \leq 80\text{mm}$, thickness $\geq 4\text{mm}$, height of side clamp is consistent with the height of module frame (Recommended 6005-T6 material, $R_{p0.2} \geq 225\text{Mpa}$, $R_m \geq 265\text{Mpa}$)	
parts	M8 bolt 、 Nut、 Flat washer、 Spring washer、 clamp (To maximize support life, use of anti-corrosion firmware is recommended)	

8.1.3 Marine module connector protection device

- The annual rainfall hours/annual total hours are more than 25%, and the connectors on the offshore sea shall be installed with waterproof cold shrinkable tubes to prevent the connector from water inlet and corrosion (the use of cold shrinkable tubes should pay attention to the shelf life, need to be installed in the effective period specified by the manufacturer).

- Recommended cold shrinkable tube size: the inner diameter of the support bar before contraction is $\Phi 28\text{mm} \pm 2\text{mm}$; The inner diameter of the silicone tube after complete shrinkage is $\leq 5.5\text{mm}$; The length of silicone tube before shrinkage is $210\text{mm} \pm 5\text{mm}$; The length of silicone tube after complete shrinkage is $\geq 220\text{mm}$; After complete shrinkage, the thickness of silicone tube is $3.0 \pm 0.5\text{mm}$ (Recommended silicone rubber material).

Table 8-3 Photovoltaic module connector accessories

Procedure	Method	Explanatory Chart
①	After unplugging the photovoltaic connector, take either end and cover the cold shrinkable tube to the connector in the direction shown on the right	
②	Slide the cold shrinkable tube over the head of the connecting head and expose the head	
③	Connect the positive and negative connectors in the correct way	
④	Move the connection to the middle of the cold shrinkable tube	
⑤	Pull the inner ring exposed in the cold shrinkable tube by hand, rotate and pull it out again and again until the inner ring is completely pulled out	
⑥	The cold shrinkable tube has completely cold shrinkable seal connectors	

● **Notes for installation of cold shrinkable pipe:**

- ① Before installation, make sure that there is no sand, water, sharp objects and other sundries inside the cold shrinkable tube.
- ② It is forbidden to tie the label on the shrink tube to prevent the tie from scratching the shrink.
- ③ Pay attention to environmental protection on site (handling of support

strips/instructions/packaging bags).

- ④ There are no cracks or gaps at both ends of the cold shrinkable tube and no cracks on the surface.
- ⑤ The cold shrinkable tube should be affixed to the connector and cable in a natural way, and no wrinkle or bulge is allowed.

8.2 Installation method of fixed support

Table 8-4 Installation mode

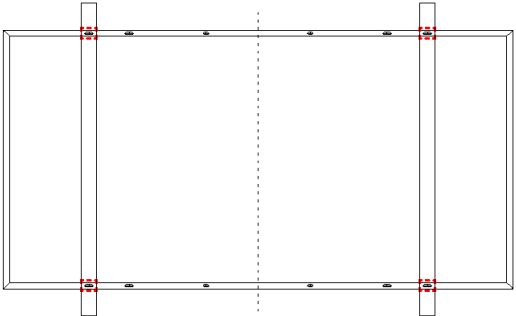
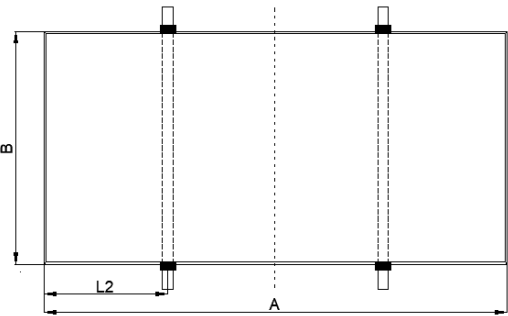
	
<p>outer 4 holes installation with cross beam (A1)</p>	<p>Clamp installation with cross beam (A2) ($1/5A \leq L2 \leq 1/4A$) 50mm ≤ Clamp size ≤ 80mm</p>

Table 8-5 Load values corresponding to installation methods

Module		Installation	A1	A2	
				the range of Clamp installation	Test Load values
Monofacial module	RSM40-8-xxxM	Steel/ Aluminum Frame	+ 5400 -2400	$1/5A \leq L2 \leq 1/4A$	+ 5400 -2400
	RSM40-8-xxxMB		+ 5400 -2400		+ 5400 -2400
	RSM144-9-xxxM		+ 5400 -2400	$510\text{mm} \leq L2 \leq 570\text{mm}$	+ 5400 -2400
	RSM110-8-xxxM	Steel Frame	+ 5400 -2400	$440\text{mm} \leq L2 \leq 500\text{mm}$	+ 5400 -2400
	RSM120-8-xxxM		+ 5400 -2400	$360\text{mm} \leq L2 \leq 420\text{mm}$	+ 5400 -2400
	RSM132-8-xxxM		+ 5400 -2400	$400\text{mm} \leq L2 \leq 465\text{mm}$	+ 5400 -2400

		RSM110-8-xxxM	Aluminum Frame	+ 5400 -2400	440mm≤L2≤500mm	+ 5400 -2400	
		RSM120-8-xxxM		+ 5400 -2400	360mm≤L2≤420mm	+ 5400 -2400	
		RSM132-8-xxxM		+ 5400 -2400	400mm≤L2≤465mm	+ 5400 -2400	
		RSM144-9-xxxN		+ 5400 -2400	1/5A≤L2≤1/4A	+ 5400 -2400	
		RSM108-9-xxxN		+ 5400 -2400		+ 5400 -2400	
		RSM108-9-xxxNB		+ 5400 -2400		+ 5400 -2400	
		RSM144-10-xxxN		+ 5400 -2400		+ 5400 -2400	
		RSM108-10-xxxN		+ 5400 -2400		+ 5400 -2400	
		RSM108-10-xxxNB		+ 5400 -2400		+ 5400 -2400	
	RSM110-8-xxxBMDG	+ 5400 -2400	440mm≤L2≤500mm	+ 5400 -2400			
	RSM110-8-xxxBNDG	+ 5400 -2400		+ 5400 -2400			
	RSM110-8-xxxBHDG	+ 5400 -2400		+ 5400 -2400			
	Bifacial module	Steel Frame	RSM120-8-xxxBMDG	Steel Frame	+ 5400 -2400	360mm≤L2≤420mm	+ 5400 -2400
			RSM120-8-xxxBNDG		+ 5400 -2400		+ 5400 -2400
			RSM120-8-xxxBHDG		+ 5400 -2400		+ 5400 -2400
			RSM132-8-xxxBMDG		+ 5400 -2400	400mm≤L2≤465mm	+ 5400 -2400
RSM132-8-xxxBNDG			+ 5400 -2400		+ 5400 -2400		
RSM132-8-xxxBHDG			+ 5400 -2400		+ 5400 -2400		
RSM110-8-xxxBMDG		Aluminum Frame	+ 5400 -2400	440mm≤L2≤500mm	+ 5400 -2400		

	RSM110-8-xxxBNDG	+ 5400 -2400		+ 5400 -2400
	RSM110-8-xxxBHDG	+ 5400 -2400		+ 5400 -2400
	RSM132-8-xxxBMDG	+ 5400 -2400	400mm≤L2≤465mm	+ 5400 -2400
	RSM132-8-xxxBNDG	+ 5400 -2400		+ 5400 -2400
	RSM132-8-xxxBHDG	+ 5400 -2400		+ 5400 -2400
	RSM120-8-xxxBMDG	+ 5400 -2400	360mm≤L2≤420mm	+ 5400 -2400
	RSM120-8-xxxBNDG	+ 5400 -2400		+ 5400 -2400
	RSM120-8-xxxBHDG	+ 5400 -2400		+ 5400 -2400
	RSM144-9-xxxBMDG	+ 5400 -2400	480mm≤L2≤540mm	+ 5400 -2400
	RSM144-9-xxxBNDG	+ 5400 -2400		+ 5400 -2400
	RSM144-10-xxxBNDG	+ 5400 -2400		+ 5400 -2400
	RSM132-11-xxxBNDG	+ 5400 -2400		+ 5400 -2400
	RSM108-11-xxxBNDG	+ 5400 -2400		+ 5400 -2400
	RSM156-9-xxxBNDG	+ 5400 -2400	500mm≤L2≤560mm	+ 5400 -2400
	RSM108-9-xxxBNDG	+ 5400 -2400	350mm≤L2≤410mm	+ 5400 -2400
	RSM108-9-xxxNDG	+ 5400 -2400		+ 5400 -2400
	RSM108-9-xxxNDGB	+ 5400 -2400		+ 5400 -2400
	RSM108-10-xxxBNDG	+ 5400 -2400	400mm≤L2≤450mm	+ 5400 -2400
	RSM108-10-xxxNDG	+ 5400 -2400		+ 5400 -2400

东方日升新能源股份有限公司	PV module installation and maintenance manual	RISEN ENERGY CO.,LTD.
主导部门：组件研发中心		Page: NO. 31 , Total 50

	RSM108-10-xxxNDGB		+ 5400		+ 5400
			-2400		-2400
	RSM96-11-xxxBNDG		+ 5400		+ 5400
			-2400		-2400

Corresponding to different installation methods, the designed load for the modules are varied.

The modules were tested under 5400 Pa for front side and 2400 Pa for back side as per static mechanical load test with a safety factor 1.5 when the designed load for the modules are 3600 Pa for front side and 1600 Pa for back side.

The modules were tested under 3600 Pa for front side and 2400 Pa for back side as per static mechanical load test with a safety factor 1.5 when the designed load for the modules are 2400 Pa for front side and 1600 Pa for back side.

When installation method of fixed support is A2, the L2 and clamp size are shorter, the condition will be harsher.

9. Cable layout

- Cable Length: Half-piece assembly cable are divided into short cables and long cables
- The recommended vertical installation connection methods for module with short cables. See Fig. 9-1. The horizontal installation connection methods see Fig. 9-2.
- When install modules with long cables, connect it with its own cable length and do not use extended cables, see Fig. 9-3 and 9-4, When connect adjacent modules in different rows or columns, connect cables on the same side and avoid connecting cables along the diagonal line.

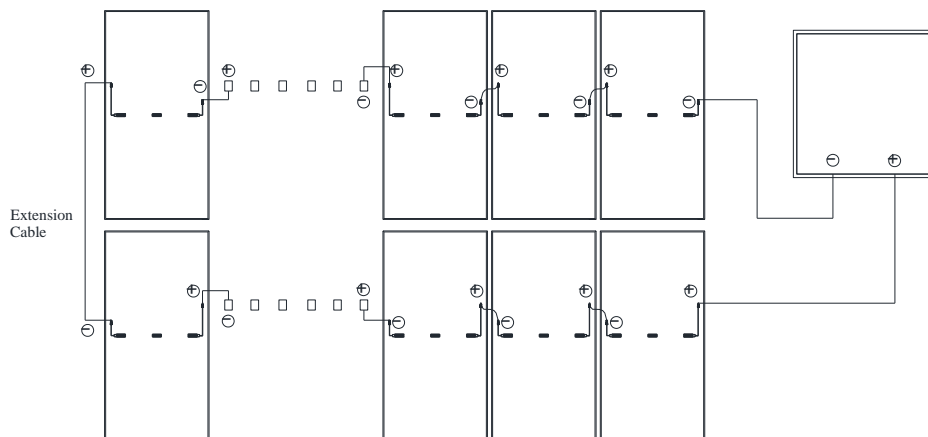


Fig. 9-1 Vertical installation of short cable modules

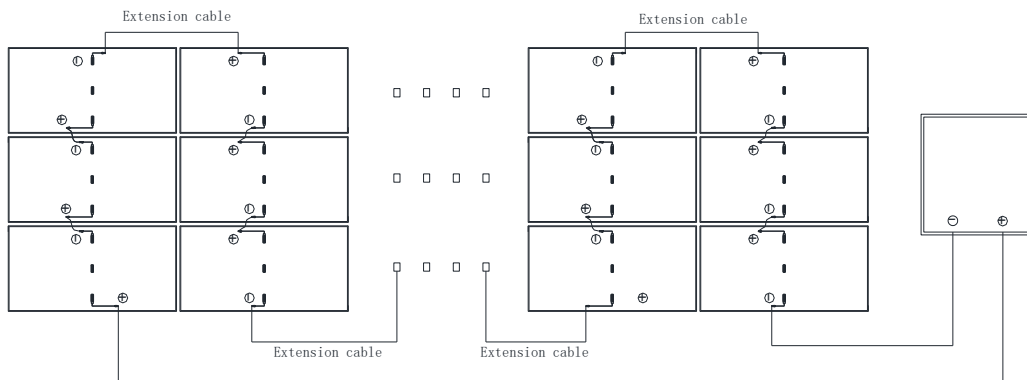


Fig. 9-2 Horizontal installation of short cable modules

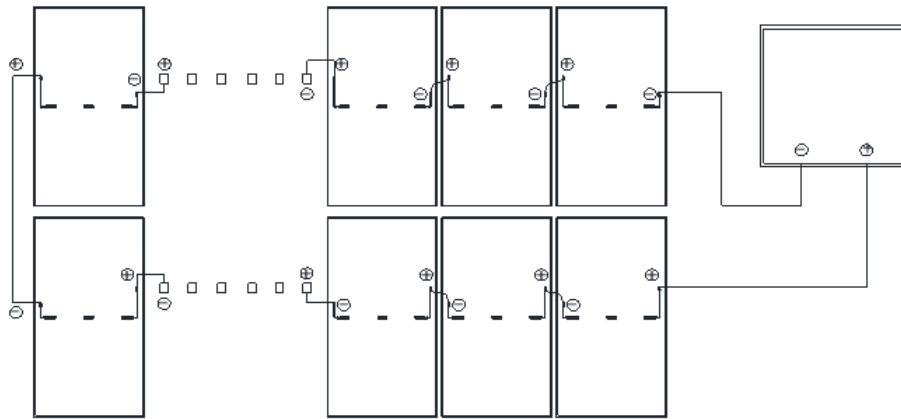


Fig. 9-3 Vertical installation of long cable modules

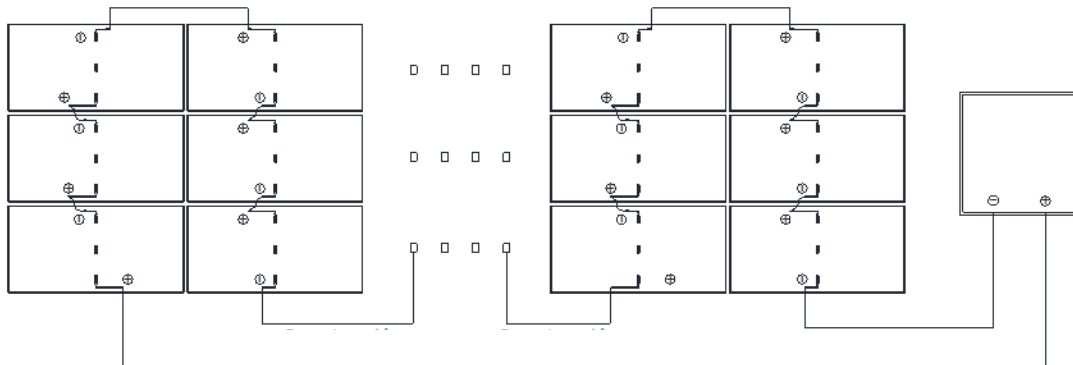


Fig. 9-4 Horizontal installation of long cable modules

Precautions:

1. Pay attention to the direction of the wire when installing the modules. It should be connected along the wire direction to avoid bending the wire.
2. In order to avoid bad or damaged connection of the cable and connector, the cable and junction box caused by human factors, affecting the electrical safety or service life of the product, it is recommended that the force applied between the cable and connector, cable and junction box shall not be greater than 60N during the installation, dismantling, maintenance and any other related process of the Product

10. Electrical Connection

- The Direct Current (DC) generated by the PV system can be converted to Alternating Current (AC) and connected to the public power grid. Different regions may have different policies, laws and regulations to stipulate the installation and grid-connection requirements of PV systems. Therefore, during the design, installation and grid-connection of PV system, please comply with the local policies, laws and regulations.
- PV modules can obtain different current and voltage outputs through series connection and parallel connection. Read this installation manual carefully before electrical connection and installation. Please design and connect according to the current and voltage required by customers. Before connection, please ensure that the connection part is free from corrosion, and keep it clean and dry.
- In order to ensure the normal running of the system, when connecting modules or loads, please ensure that the polarity of the cable connection is correct. If the modules are incorrectly connected, the bypass diodes (within the modules) and junction boxes may be damaged. PV modules can be connected in series (Fig. 10-1), in parallel (Fig.10-2) and in series-parallel (Fig. 10-3). When connected in series and parallel, blocking diodes are used between the PV modules. The number of serial or parallel connections shall be reasonably designed according to the system configuration. Also note that if the number of parallel connections ≥ 2 , there must be an over-current protection device on each string assembly and bypass are used for over current protection.

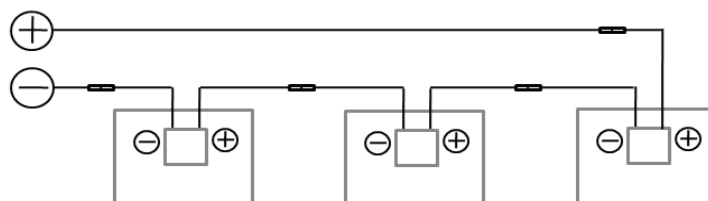


Fig. 10-1 Series Connection

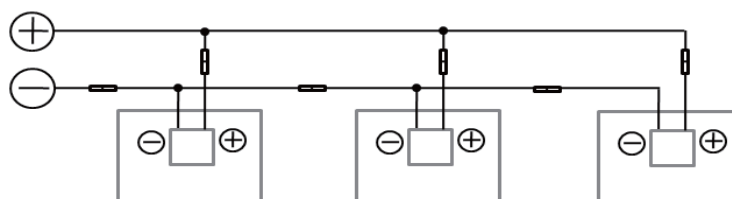


Fig.10-2 Parallel Connection

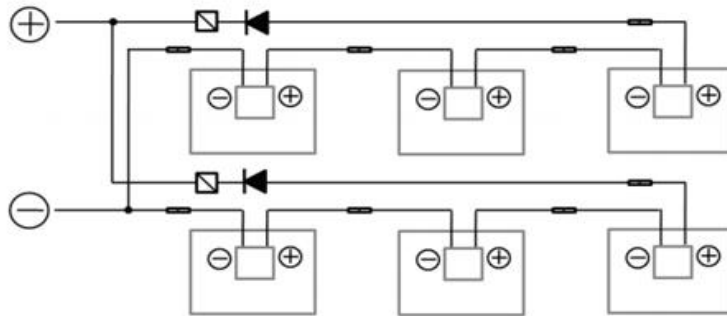


Fig.10-3 Parallel-series Connection

- Wiring to interconnect modules shall be rated for the application. It is important that the user is aware of national installation codes.
- Different types of modules cannot be connected in series. Modules connected in series should ensure the consistency of their current. The voltage of the module string should not exceed the allowable system voltage value, which can be found on the nameplate or datasheet of the module.
- The maximum number of modules in series depends on the system design, the type of converter used and the environmental conditions. In general, the maximum number (N) of PV modules in series can be calculated by dividing the maximum system voltage by the open circuit voltage of the relevant solar PV modules. When designing the solar PV system, it is necessary to take into account the characteristic that the voltage of the solar PV module changes with the temperature. Considering the voltage increase caused by temperature drop in extreme environment in winter, the maximum series connection number of solar PV modules can be calculated by the following formula.

Table 10-1 maximum series connection number calculation

Formula	Maximum system voltage $V \geq N \times V_{oc} \times [1 + \beta \times (T_{min} - 25)]$
V	Maximum system voltage
N	The number of maximum solar PV modules in series
V_{oc}	The open circuit voltage of each module (see product label or data sheet)
β	Temperature coefficient of open circuit voltage of the module (refer to data sheet)
T_{min}	The lowest ambient temperature at installation site

Table 10-2 maximum parallel connection number calculation

Formula	$N \leq \text{fuse rating} / I_{sc} + 1$
N	The number of maximum parallel connection
I_{sc}	The short circuit current of each module (see product label or data sheet)

Remarks: if the number of parallel connections is greater than or equal to 2, there must be an over-current protection device on each string of modules.

- Product can be irreparably damaged if an array string is connected in reverse polarity to another. Always verify the voltage and polarity of each individual string before making a parallel connection. If you measure a reversed polarity or a difference of more than 10V between strings then check the string configuration before making the connection.
- Before wiring the module, ensure that the contact points are corrosion resistant, clean and dry; If a string of modules is reversed, irreparable damage can be caused
- For relatively large installations, Risen recommends that you use lightning protection in accordance with local requirements and regulations.
- Each Risen solar PV module has two PV cables (Comply with IEC 62930 and EN 50618:2014 (H1Z2Z2-K)) which can withstand 90 °C temperature and they are sunlight resistant(UV). The cross-sectional area of the cable is 4mm² or 12AWG, and the external diameter is 4mm-7mm. Plug & Play connectors are included at the end of each cable. All other cables used to connect the direct current system shall have similar (or higher) specifications, and should have the suitable insulation ability which can suffer the possible maximum system V_{oc} (as defined in TUV 2PfG1169 or EN50618 (H1Z2Z2-K)). Risen requires all cables and electrical connections to comply with the electrical regulations of the countries where the PV system is installed.
- When selecting a cable, the minimum current-carrying capacity of the cable can be calculated by the following formula.

$$\text{Minimum current-carrying capacity of the cable} = 1.25 \times I_{sc} \times N_p$$

I_{sc}: short-circuit current of PV module (unit: A)

N_p: the number of modules in parallel or module strings

- To clear or trim excess cables and Risen recommends that all cables be placed in proper pipework and away from standing water.
- Risen recommends using lightning protection devices which are complied with local laws and electrical regulations

10.1 Bypass diodes

- If solar photovoltaic module part by shadow block, which can lead to reverse voltage related to solar cells, solar photovoltaic modules in other unaffected battery string or other solar PV modules in the system and current will force through keep out part of the power loss and heat affected cell. When the solar photovoltaic module is connected in parallel with the bypass diode, the current in the system will flow directly through the diode, so as to bypass the blocked part of the solar photovoltaic module and minimize the heating degree and power consumption of the solar photovoltaic module.
- Each module has three diodes. Diode models as below:

SBRB3050TS / SBRB4050TS/ SBRB5050TS / QCM5045B / QCM4045

Table 10-3 Bypass diode details

Manufacturer	Type
Zhejiang Twinsel Electronic Technology Co.,Ltd.	Schottky, Type: SBRB3050TS, Max. peak reverse voltage 50 V, Forward Rectified current 30 A. Max junction temperature 200 °C(t ≤ 1 h)
	Schottky, Type: SBRB4050TS, Max. peak reverse voltage 50 V, Forward Rectified current 40 A. Max junction temperature 200 °C(t ≤ 1 h)
	Schottky, Type: SBRB5050TS Max. peak reverse voltage 50 V, Forward Rectified current 50 A. Max junction temperature 200 °C(t ≤ 1 h)
QC Solar (Suzhou) Corporation	Schottky, Type: QCM5045B Max. peak reverse voltage 45 V Forward Rectified current 50 A Max junction temperature 200 °C(t ≤ 1 h).
	Schottky, Type: QCM4045 Max. peak reverse voltage 45 V

东方日升新能源股份有限公司	PV module installation and maintenance manual	RISEN ENERGY CO.,LTD.
主导部门：组件研发中心		Page: NO. 38 , Total 50

Forward Rectified current 40 A Max junction temperature 200 °C(t ≤ 1 h).

Please do not try to open the junction box to replace the diode. when the diode has problem, please do this work by professionals.

10.2 Wiring

- Check to make sure you are connecting using a connector approved by Risen before connecting, otherwise Risen will not be held responsible.
- Ensure that the connector is corrosion free, dry, and clean, and that the nut of the connector is tight before connecting.
- Connector connection steps: According to the electrical requirements. The positive and negative connectors should be connected in turn, and confirm that you hear a "click" to indicate that the connection is successful. Otherwise, during the operation of the modules, this could lead to electric arc due to poor connections and can burn the connectors. Before the commissioning and operation of the power station, please check the electrical connection of modules and strings, making sure all connection polarity is correct and the open circuit voltage meets the requirements of the acceptance criteria.
- Circuit connections and selected accessories should meet electrical requirements, improper circuit connections and non-compliant accessories may damage the circuit or make parts fail, thus causing electric shock, fire and other hazards, if in doubt, consult the technical team of risen.
- After installing modules, connect them as soon as possible to avoid moisture or dust.
- The connecting part of the connector can be fixed in a gap between side C of the frame and the laminate. Keep connectors away from direct sunlight and rain. Keep connectors away from water. Avoid landing connectors on the ground or roof.
- Connectors of different models are not recommended to connect each other. Contact the technical team of risen in advance if necessary. If you need to replace or install a connector, follow the connector manufacturer's operation manual and local regulations.

10.3 Connector and Junction box

Specific PV connector model/types and manufacturer to which the module connectors shall be mated.

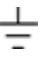
Table 10-4 Collocation of connectors and junction boxes

Connector for junction box			Junction box	
Manufacturer	Type	temperature rating	Manufacturer	Type
Zhejiang Twinsel Electronic Technology Co.,Ltd.	PV-SY02, DC 1500 V, 30A and 48A and 55A	40 °C to 85 °C, IP 68	Zhejiang Twinsel Electronic Technology Co.,Ltd.	PV-SY017, PV-SY017-25, PV-SY030
QC Solar (Suzhou) Corporation	QC4.10-cds (c=3,d=5,s=1), 1500V DC, 41A	-40 °C to 85 °C, IP68	QC Solar (Suzhou) Corporation	3Qxy (x=4, y=1), DC1500V, 30A, -40 °C to 85 °C, IP68

Remark: The connector should be mated with its original female or male connector of the same Supplier

东方日升新能源股份有限公司	PV module installation and maintenance manual	RISEN ENERGY CO.,LTD.
主导部门：组件研发中心		Page: NO. 40 , Total 50

11. Grounding

- All solar PV module frames and mounting bracket must be properly grounded in accordance with the appropriate National Electrical Code or local electrical codes
- Correct grounding is achieved by continuously connecting the PV module frame and all metal modules together using the appropriate grounding conductor. The grounding wire may be copper, copper alloy or other materials that can be used as conductors and meet the requirements of the national electrical code. It is recommended to use the copper wire (4-14 mm² or AWG 6- 12) as the grounding wire. The signal "  " can be found at the grounding hole position. The ground wire must also be connected to ground through a suitable ground electrode. The tight connection of all the joint point should be ensured.
- Installers may only use single-conductor cable listed and labeled as USE-2 or PV wire which is 90 °C wet rated in North America, and single conductor cable, 4-16mm²(5-12 AWG), 90 °C wet rated in other areas(i.e. TUV 2PFG1169 or EN50618 approved), with proper insulation which is able to withstand the maximum possible system open-circuit voltage. Only copper conductor material should be used. Select a suitable conductor gauge to minimize voltage drop and ensure that the conductor ampacity with local regulations (i.e. NEC 690.8(D)).
- On a grounding hole with a diameter of $\phi 4$ mm, use a separate grounding wire and related accessories to connect the frame and connect the grounding wire to the ground. M4 x 12mm ground bolts with M4 nuts, star washers and plain washers are recommended for the aluminum frame, M5 pan head screws or ST 4.8 pan head tapping screws are recommended for high-strength alloy steel frames, see fig.11.2, this ensures that the modules are firmly grounded. You can find the corresponding product drawing in module datasheet to know the detailed number, size and position of the grounding holes. The torque applied to ground fixation is 4N· m~8N ·m.

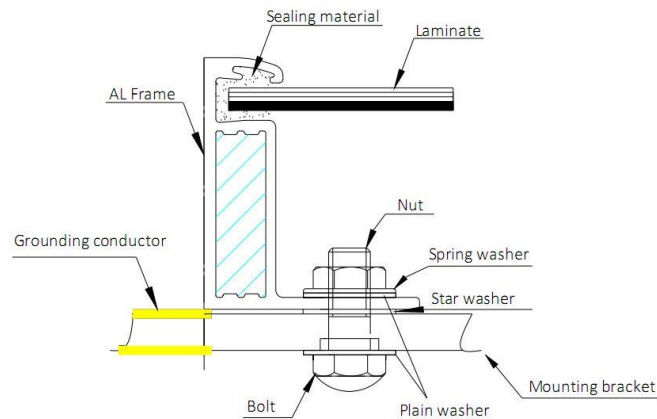


Fig.11-1 M5 Pan head screw grounding

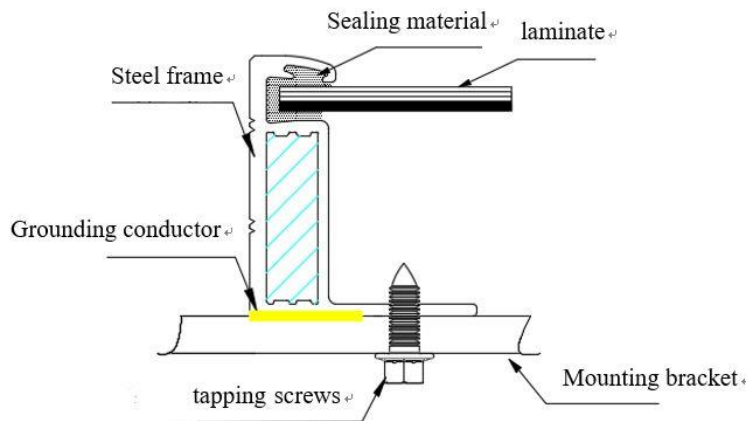


Fig.11-2 ST 4.8 pan head tapping screw grounding

In addition to use the grounding hole, you can also choose the following grounding ways:

- ✓ Grounding by unused mounting holes
- ✓ Other professional grounding devices

No matter which grounding method is adopted, all conductive connections to the frame of PV module frame should penetrate the insulation layer to ensure the reliability of grounding. Risen modules can be grounded by other grounding devices, which must be reliable and certified. The manufacturer's requirements should be followed.

东方日升新能源股份有限公司	PV module installation and maintenance manual	RISEN ENERGY CO.,LTD.
主导部门：组件研发中心		Page: NO. 42 , Total 50

12. Inspection and Maintenance

In order to ensure the long-term using of the installed PV system and maximize the Power output performance of the modules, the installed PV modules need to be inspected and maintained regularly. The inspection and maintenance of modules in the PV array shall be carried out by personnel who have received professional PV system maintenance training and obtained relevant qualifications and authorization.

12.1 PV Module Recycling

- PV module that that cannot be used due to a malfunction should be deactivated. You can dispose of these dead modules in the following ways:
 - ✓ Please consult and follow the local laws and regulations, must have a qualified institution to recover processing, the product disposal;
 - ✓ If your area is covered by a PV Cycle specialist, you can contact them directly for processing.

12.2 Module visual inspection and replacement

- The PV modules installed in the PV array should be inspected periodically for damage. If functional and safety faults are found due to the following factors, the modules of the same type should be replaced immediately.
 - ✓ PV modules have broken glass, scratched back sheet.
 - ✓ Bubbles or delamination form a continuous path between electric circuit and the edge of the module.
 - ✓ Junction box is deformed, cracked or burned, and the terminals cannot be connected well.
- Replace failed PV modules with same type. Do not touch live wires and connectors directly. When you need to touch them, use suitable safety devices (insulation tools/gloves, etc.).
- The warning signs on the PV modules must not be lost.
- Check the electrical, grounding and mechanical connections every 6 months to ensure they are clean and safe, free from damage or rust. Check that the mounting parts are tight. Check

东方日升新能源股份有限公司	PV module installation and maintenance manual	RISEN ENERGY CO.,LTD.
主导部门：组件研发中心		Page: NO. 43 , Total 50

all cables and make sure that the connectors are securely. PV modules frames and bracket should be well mechanically connected.

- Check whether there is any foreign body on the surface of the PV modules and whether there is any shielding.
- When repairing PV modules, cover the surface of PV modules with opaque material to prevent electric shock. Exposure of PV modules to sunlight will generate high voltages, this is dangerous. Please pay attention to safety when maintenance and it must be done by professionals.
- When the irradiance is no less than 200W/m², if the terminal voltage is more than 5% different than the rated value, it illustrates the connection of the modules is not good.
- Comply with maintenance instructions for all modules used in the PV system, such as brackets, charging rectifiers, inverters, batteries, lightning protection systems, etc.
- Warning: Any electrical maintenance must shut down the PV system firstly. Improper system maintenance may cause fatal dangers such as electric shock and burning.

12.3 Cleaning

- Dust accumulation on the glass surface of the module will reduce its power output and may cause hot spots. So the surface of photovoltaic modules should be kept clean. Maintenance work should be performed at least once a year or frequently.
- Warning: It should be carried out by trained personnel. Workers should wear PPE, such as goggles, electric insulation gloves and safety shoes. The gloves should withstand DC voltages of no less than 2000V
- Use dry or wet soft cloths, sponges, etc. to clean the modules during the cleaning process, but do not put any modules directly into the water, do not use corrosive solvents and do not wipe the PV modules with hard objects. When the pressure water is used, the water pressure on the glass surface of the module must not exceed 700 KPa. The module must not be subjected to additional external force. If necessary, use isopropyl alcohol (IPA) according to the safety instructions to clean and ensure that no IPA flows into the gap

东方日升新能源股份有限公司	PV module installation and maintenance manual	RISEN ENERGY CO.,LTD.
主导部门：组件研发中心		Page: NO. 44 , Total 50

between the edge of the module and the module frame.

- To reduce potential electric shocks or burns, suggest cleaning the PV modules in the early morning or evening when the sunlight is weak and the temperature is low, especially for areas with higher temperatures.
- It is forbidden to clean photovoltaic modules under weather conditions with heavy rain, heavy snow or winds greater than class 4.
- The back surface of the module normally does not need to be cleaned, but in the event this is deemed necessary, avoid the use of any sharp objects that might damage or penetrating the substrate material.
- Water requirements when cleaning:
 - ✓ PH: 5~7;
 - ✓ Chloride or salt content: 0 - 3,000 mg/L;
 - ✓ Turbidity: 0-30 NTU;
 - ✓ Conductivity: 1500~3000 $\mu\text{s}/\text{cm}$;
 - ✓ Total dissolved solids: ≤ 1000 mg/L;
 - ✓ Water hardness: 0-40 mg/L;
 - ✓ Non-alkaline water must be used, and softened water can be used when conditions permitted.
- **Module inspection after cleaning**
 - ✓ Visual inspection to check if the module is clean, bright and free of stains;
 - ✓ Spot check to verify whether there is soot deposit on the module surface;
 - ✓ Check to whether there are visible scratches on the surface of the module or not;
 - ✓ Check whether there are no man-made cracks on the module surface or not;
 - ✓ Check whether the module support structure is leaning or bent or not;
 - ✓ Check whether the connectors of the module are detached or not, After cleaning, fill out the PV module cleaning record.

东方日升新能源股份有限公司	PV module installation and maintenance manual	RISEN ENERGY CO.,LTD.
主导部门：组件研发中心		Page: NO. 45 , Total 50

13. Troubleshooting

- If the PV system does not work properly, please inform your installer immediately. It is recommended to perform a preventive inspection every six months, please don't change any modules of the modules. If electrical or mechanical properties are required for inspection or maintenance, qualified professionals should be advised to avoid any electric shock or loss of life.

东方日升新能源股份有限公司	PV module installation and maintenance manual	RISEN ENERGY CO.,LTD.
主导部门：组件研发中心		Page: NO. 46 , Total 50

14.DISCLAIMER

- Risen is not responsible for any form of damage, including but not limited to module operation and system installation error, and personnel injury, hurt, and property loss resulted from failure to follow the instructions in this Manual.
- Failure of the customer to follow the requirements outlined in this Manual during the installation of the module will result in the invalidity of product's limited warranty.
- Risen is not responsible for any infringement of third party patents or any other rights arising from the use of solar PV modules.
- Risen reserves the rights to change this Manual without prior notice.
- The information in this Manual is derived from knowledge and experience, and such information and recommendations do not constitute any warranty.

This Manual is available in electronic form only. Please call our customer service hotline (400-8291-000) if you need a hard copy. In case of any discrepancy between the Chinese and English versions of this Manual, the Chinese version shall prevail. Risen reserves the rights to interpret this Manual.

东方日升新能源股份有限公司	PV module installation and maintenance manual	RISEN ENERGY CO.,LTD.
主导部门: 组件研发中心		Page: NO. 47 , Total 50

Annex 1: Contact Information:

Risen Energy Co., Ltd.

Address: Meilin, Ninghai, 315609 Ningbo, Zhejiang, PEOPLE'S REPUBLIC OF CHINA

Tel: +86-574-59953239

Fax: +86-574-59953599

E-mail: afterservice@risenenergy.com

E-mail: info@risenenergy.com

Website: www.risenenergy.com

Annex 2 : Product Electrical Data

Product electrical data including module electrical performance parameters at different condition (STC, BNPI, aBSI, low irradiance), temperature coefficient, etc. Please refer to the user product manual for detailed parameters.

Product Temperature coefficient , Product Electrical Ratings at STC, BNPI, aBSI and low irradiance (For example)

Example 1:

ELECTRICAL DATA (STC & aBSI)

Model Number	RSM132-8-680BHDG	RSM132-8-685BHDG	RSM132-8-690BHDG	RSM132-8-695BHDG	RSM132-8-700BHDG	RSM132-8-705BHDG
Rated Power in Watts-Pmax(Wp)	680	685	690	695	700	705
Open Circuit Voltage-Voc(V)	49.47	49.56	49.65	49.74	49.83	49.92
Short Circuit Current-Isc(A)	17.48	17.56	17.66	17.74	17.82	17.91
Maximum Power Voltage-Vmpp(V)	41.48	41.56	41.63	41.71	41.78	41.86
Maximum Power Current-Imp(A)	16.41	16.50	16.60	16.68	16.77	16.86
Module Efficiency (%) ★	21.9	22.1	22.2	22.4	22.5	22.7
Short Circuit Current-Isc-aBSI(A)	21.94	22.04	22.16	22.26	22.36	22.48

STC: Irradiance 1000 W/m², Cell Temperature 25°C, Air Mass AM1.5 according to EN 60904-3.
 $\phi_{Voc}=95\% \pm 5\%$, $\phi_{Isc}=85\% \pm 10\%$, $\phi_{Pmax}=85\% \pm 10\%$; ★Module Efficiency (%): Round-off to the nearest number
aBSI: equivalent to 1000 W/m² on the front side and 300 W/m² on the back side, 25°C.

Electrical characteristics with 13.5% rear side power gain

	748	754	759	765	770	776
Total Equivalent power -Pmax (Wp)	748	754	759	765	770	776
Open Circuit Voltage-Voc(V)	49.47	49.56	49.65	49.74	49.83	49.92
Short Circuit Current-Isc(A)	19.23	19.32	19.43	19.51	19.60	19.70
Maximum Power Voltage-Vmpp(V)	41.48	41.56	41.63	41.71	41.78	41.86
Maximum Power Current-Imp(A)	18.05	18.15	18.26	18.35	18.44	18.55

Rear side power gain: The additional gain from the rear side compared to the power of the front side at the standard test condition. It depends on mounting (structure, height, tilt angle etc.) and albedo of the ground.

ELECTRICAL DATA (Low irradiance)

Model Number	RSM132-8-680BHDG	RSM132-8-685BHDG	RSM132-8-690BHDG	RSM132-8-695BHDG	RSM132-8-700BHDG	RSM132-8-705BHDG
Maximum Power-Pmax (Wp)	133.3	134.3	135.2	136.2	137.2	138.2
Open Circuit Voltage-Voc (V)	49.47	49.56	49.65	49.74	49.83	49.92
Short Circuit Current-Isc (A)	3.43	3.44	3.46	3.48	3.49	3.51
Maximum Power Voltage-Vmpp (V)	41.48	41.56	41.63	41.71	41.78	41.86
Maximum Power Current-Imp (A)	3.22	3.23	3.25	3.27	3.29	3.30

Low irradiance: Irradiance at 200 W/m², Ambient Temperature 25°C

MECHANICAL DATA

Solar cells	HJT cell
Cell configuration	132 cells (6×11+6×11)
Module dimensions	2384×1303×35mm
Weight	40.5kg
Superstrate	High Transmission, AR Coated Heat Strengthened Glass
Substrate	Heat Strengthened Glass
Frame	High Strength Alloy Steel
J-Box	Potted, IP68, 1500VDC, 3 Schottky bypass diodes
Cables	4.0mm ² , Positive(+)350mm, Negative(-)230mm (Connector Included)
Connector	Zhejiang Twinsel Electronic Technology Co.,Ltd. PV-SY02, IP68

Example 2:

ELECTRICAL DATA (STC & aBSI)

Model Number	RSN144-10-570ENDG	RSN144-10-575ENDG	RSN144-10-580ENDG	RSN144-10-585ENDG	RSN144-10-590ENDG	RSN144-10-595ENDG	RSN144-10-600ENDG
Rated Power in Watts-Pmax(Wp)	570	575	580	585	590	595	600
Open Circuit Voltage-Voc(V)	50.86	51.07	51.28	51.48	51.67	51.86	52.05
Short Circuit Current-Isc(A)	14.34	14.39	14.44	14.50	14.55	14.61	14.66
Maximum Power Voltage-Vmpp(V)	42.26	42.44	42.61	42.78	42.94	43.10	43.25
Maximum Power Current-Impp(A)	13.51	13.57	13.63	13.70	13.76	13.83	13.89
Module Efficiency (%) *	21.1	21.3	21.5	21.6	21.8	22.0	22.2
Short Circuit Current-Isc-aBSI(A)	17.57	17.63	17.69	17.76	17.82	17.90	17.96

STC: Irradiance 1000 W/m², Cell Temperature 25°C, Air Mass AM 1.5 according to EN 60904-3.

ϕ Voc=95%±5%, ϕ Isc=80%±10%, ϕ Pmax=80%±10%; *Module Efficiency (%): Round-off to the nearest number

aBSI: equivalent to 1 000 W/m² on the front side and 300 W/m² on the back side, 25°C.

Electrical characteristics with 13.5% rear side power gain

Total Equivalent power -Pmax (Wp)	627	633	638	644	649	655	660
Open Circuit Voltage-Voc(V)	50.86	51.07	51.28	51.48	51.67	51.86	52.05
Short Circuit Current-Isc(A)	15.77	15.83	15.88	15.95	16.01	16.07	16.13
Maximum Power Voltage-Vmpp(V)	42.26	42.44	42.61	42.78	42.94	43.10	43.25
Maximum Power Current-Impp(A)	14.86	14.93	14.99	15.07	15.14	15.21	15.28

Rear side power gain: The additional gain from the rear side compared to the power of the front side at the standard test condition. It depends on mounting (structure, height, tilt angle etc.) and albedo of the ground.

ELECTRICAL DATA (Low irradiance)

Model Number	RSN144-10-570ENDG	RSN144-10-575ENDG	RSN144-10-580ENDG	RSN144-10-585ENDG	RSN144-10-590ENDG	RSN144-10-595ENDG	RSN144-10-600ENDG
Maximum Power-Pmax (Wp)	111.7	112.7	113.7	114.7	115.6	116.7	117.6
Open Circuit Voltage-Voc (V)	50.86	51.07	51.28	51.48	51.67	51.86	52.05
Short Circuit Current-Isc (A)	2.81	2.82	2.83	2.84	2.85	2.86	2.87
Maximum Power Voltage-Vmpp (V)	42.26	42.44	42.61	42.78	42.94	43.10	43.25
Maximum Power Current-Impp (A)	2.65	2.66	2.67	2.69	2.70	2.71	2.71

Low irradiance: Irradiance at 200 W/m², Ambient Temperature 25°C.

MECHANICAL DATA

Solar cells	n-type
Cell configuration	144 cells (6×12+6×12)
Module dimensions	2382×1134×30mm
Weight	32kg
Superstrate	High Transmission, Low Iron, Tempered ARC Glass
Substrate	Tempered Glass
Frame	Anodized Aluminium Alloy, Silver Color
J-Box	Potted, IP68, 1500VDC, 3 Schottky bypass diodes
Cables	4.0mm ² , Positive(+)350mm, Negative(-)230mm (Connector Included)
Connector	Zhejiang Twinsel Electronic Technology Co.,Ltd. PV-SY02, IP68

Example 3:

ELECTRICAL DATA (STC & aBSI)

Model Number	RSM132-8-635BMDG	RSM132-8-640BMDG	RSM132-8-645BMDG	RSM132-8-650BMDG	RSM132-8-655BMDG
Rated Power in Watts-Pmax(Wp)	635	640	645	650	655
Open Circuit Voltage-Voc(V)	44.89	45.09	45.29	45.49	45.69
Short Circuit Current-Isc(A)	18.03	18.08	18.13	18.18	18.23
Maximum Power Voltage-Vmpp(V)	37.33	37.51	37.69	37.87	38.05
Maximum Power Current-Impp(A)	17.02	17.07	17.12	17.17	17.22
Module Efficiency (%) ★	20.4	20.6	20.8	20.9	21.1
Short Circuit Current-Isc _{aBSI} (A)	21.82	21.88	21.94	22.00	22.06

STC: Irradiance 1000 W/m², Cell Temperature 25°C, Air Mass AM1.5 according to EN 60904-3.
 ϕ Voc=95%±5%, ϕ Isc=70%±10%, ϕ Pmax=70%±10%; ★Module Efficiency (%): Round-off to the nearest number
aBSI: equivalent to 1000 W/m² on the front side and 300 W/m² on the back side, 25°C.

Electrical characteristics with 13.5% rear side power gain

Total Equivalent power -Pmax (Wp)	699	704	710	715	721
Open Circuit Voltage-Voc(V)	44.89	45.09	45.29	45.49	45.69
Short Circuit Current-Isc(A)	19.83	19.89	19.94	20.00	20.05
Maximum Power Voltage-Vmpp(V)	37.33	37.51	37.69	37.87	38.05
Maximum Power Current-Impp(A)	18.72	18.78	18.83	18.89	18.94

Rear side power gain: The additional gain from the rear side compared to the power of the front side at the standard test condition. It depends on mounting (structure, height, tilt angle etc.) and albedo of the ground.

ELECTRICAL DATA (Low irradiance)

Model Number	RSM132-8-635BMDG	RSM132-8-640BMDG	RSM132-8-645BMDG	RSM132-8-650BMDG	RSM132-8-655BMDG
Maximum Power-Pmax (Wp)	124.5	125.4	126.4	127.4	128.4
Open Circuit Voltage-Voc (V)	44.89	45.09	45.29	45.49	45.69
Short Circuit Current-Isc (A)	3.53	3.54	3.55	3.56	3.57
Maximum Power Voltage-Vmpp (V)	37.33	37.51	37.69	37.87	38.05
Maximum Power Current-Impp (A)	3.34	3.35	3.36	3.37	3.38

Low irradiance: Irradiance at 200 W/m², Ambient Temperature 25°C.

MECHANICAL DATA

Solar cells	Monocrystalline
Cell configuration	132 cells (6×11+6×11)
Module dimensions	2384×1303×35mm
Weight	38.5kg
Superstrate	High Transmission, AR Coated Heat Strengthened Glass
Substrate	Heat Strengthened Glass
Frame	Anodized Aluminium Alloy , Silver Color
J-Box	Potted, IP68, 1500VDC, 3 Schottky bypass diodes
Cables	4.0mm ² , Positive(+)350mm, Negative(-)230mm (Connector Included)
Connector	Zhejiang Twinsel Electronic Technology Co.,Ltd. PV-SY02, IP68